



Amadeo R

X-ray system with Bucky table and wall stand

Universal X-ray system with swimming table top for confined spaces

The **Amadeo R** with Bucky table and wall stand convinces by its easy handling. The entire system is controlled by our professional acquisition and diagnostic software **dicomPACS®DX-R**.

All images of sitting, standing or lying patients can be taken effortlessly. The X-ray tube and the Bucky drawer of the wall stand can be lowered all the way to the floor. The large floating table top has a high load-bearing capacity (for patients with a larger body circumference). For confined spaces, a shorter table top is available. Options such as motorised auto-tracking or stitching optimise work in highly frequented radiology departments.

Four versions of the **Amadeo R** X-ray system are available:

- **Amadeo R-DR** with two fixed CsI X-ray detectors (43 x 43 cm)
- **Amadeo R-DR** with one fixed CsI X-ray detector (43 x 43 cm) and one wireless X-ray detector (35 x 43 cm)
- **Amadeo R-DR** with one or two wireless CsI X-ray detectors (35 x 43 cm)
- **Amadeo R-AX** a conventional X-ray system with Bucky table and wall stand for use with CR systems or film cassettes



System benefits

Optimal: for small rooms - the shortened table top makes the complete system fully operational even in confined spaces

Complete: X-ray images from head to toe - X-ray images of the skull, thorax, pelvis, skeleton and extremities can be taken on a lying patient as well as on a sitting or standing patient.

Simple: convenient, problem-free operation thanks to functional design - X-ray tube and Bucky tray can be lowered down to the ground

Time-saving: No additional effort required for rotating the detector (when using a 43 x 43 cm detector) – no tedious turning for landscape or portrait shots

Efficient: integration into your existing patient management system – patient data at the push of a button

Excellent: high-quality X-ray detector based on a caesium iodide (CsI) scintillator – top image quality even at low X-ray doses

User-friendly: self-explanatory OR Technology acquisition software **dicomPACS® DX-R** including free special measurement functions

Fast: shortly after taking the shot (6 - 8 seconds), the X-ray image is already available for viewing and diagnostic evaluation

Cleverly designed: integrated X-ray positioning guide helps choose the perfect positioning for each examination inclusive helpful photos, videos and correct X-rays images

Accessibility: integrated diagnostic software offers a worldwide, fast and cost-effective information exchange (via cloud or email)

One of a kind: safe and quick registration of emergency patients and user-defined macros for recurring examinations, e.g. thorax screenings



System benefits

Optimal: for small rooms - the shortened table top makes the complete system fully operational even in confined spaces

Complete: X-ray images from head to toe - X-ray images of the skull, thorax, pelvis, skeleton and extremities can be taken on a lying patient as well as on a sitting or standing patient.

Simple: convenient, problem-free operation thanks to functional design - X-ray tube and Bucky tray can be lowered down to the ground

Time-saving: No additional effort required for rotating the detector (when using a 43 x 43 cm detector) – no tedious turning for landscape or portrait shots

Efficient: integration into your existing patient management system – patient data at the push of a button

Excellent: high-quality X-ray detector based on a caesium iodide (CsI) scintillator – top image quality even at low X-ray doses

User-friendly: self-explanatory OR Technology acquisition software *dicomPACS® DX-R* including free special measurement functions

Fast: shortly after taking the shot (6 - 8 seconds), the X-ray image is already available for viewing and diagnostic evaluation

Cleverly designed: integrated X-ray positioning guide helps choose the perfect positioning for each examination inclusive helpful photos, videos and correct X-rays images

Accessibility: integrated diagnostic software offers a worldwide, fast and cost-effective information exchange (via cloud or email)

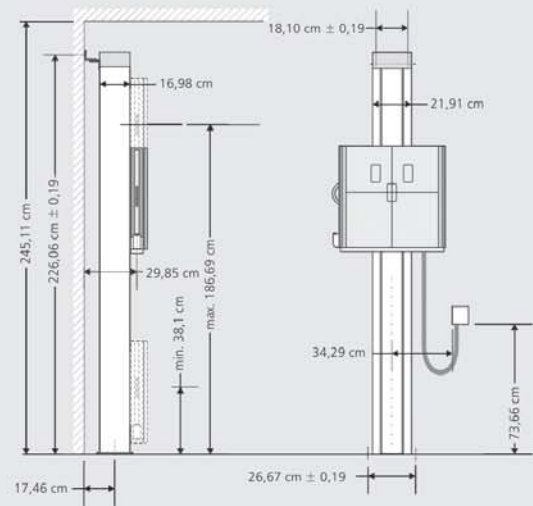
One of a kind: safe and quick registration of emergency patients and user-defined macros for recurring examinations, e.g. thorax screenings



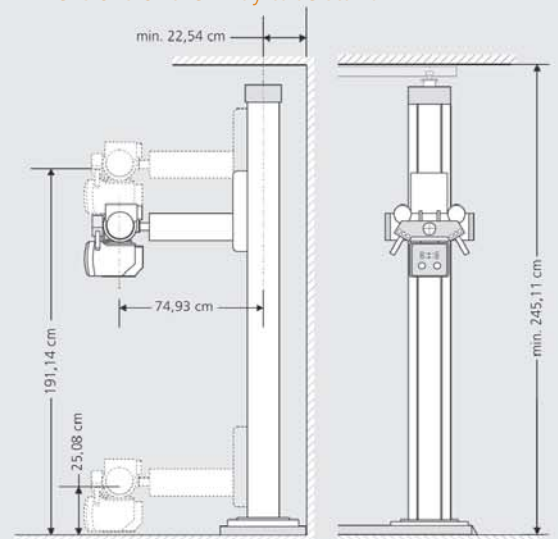


Measurements

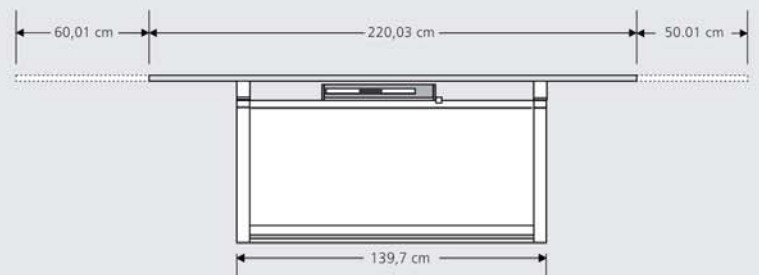
Dimensions of the wall stand



Dimensions of the X-ray tube stand



Dimensions of the integrated X-ray table








More information about
Amadeo R can be found here:
www.or-technology.com

Advantages of professional acquisition software

- Modern graphical user interface (GUI) adaptable to almost any language, **touchscreen** operation – to ensure quick and efficient work and a smooth workflow
- Capture patient data via **DICOM Worklist**, **BDT/GDT**, **HL7** or other protocols – data may also be captured manually
- Use **DICOM Procedure Codes** to transfer all relevant examination data directly from the connected patient management system (HIS/RIS)
- **Freely configurable** body parts with more than **400 projections** and numerous possible adjustments already included
- Safe and fast **registration of emergency patients** allowing the user to **switch between examinations** of a patient, for instance to avoid having to re-position the patient frequently
- Allows the user to **subsequently add images** to an examination, even after that examination has been completed
- **Multi-generator operation** for alternating between mobile and stationary X-ray systems
- Additional **special functions** including Chiro Tools (diagnostic tools for efficient analyses) and tools assisting with NUCCA examinations
- **User-defined macros for recurring examinations**, e.g. thorax screenings
- Fully **integrated radiographic positioning guide** for each examination incl. comprehensive notes, photos, videos and correct X-ray images
- Option to **control** a digital X-ray system **via wireless remote** incl. display of the worklist, preview of the image taken for checking and much more



Standard components Amadeo R systems

	DR system with integrated fixed dual flat panel	System with wireless flat panel with generator control	System for film/ CR cassettes without generator control
	Amadeo R-DR	Amadeo R-DRw	Amadeo R-AX
50 KW HF generator	✓	✓	✓
X-ray table <ul style="list-style-type: none"> • 4-way floating table top (220 x 81 cm) • Movement range: longitudinal 110cm, lateral 24cm • Motorised Bucky for oscillating grid • Oscillating grid for FDD 86 - 112 cm • 3-field ionisation chamber (AEC) • Bucky can travel across the entire length of the table • Two stage electromagnetic locking device with foot control 	 ✓	✓	✓
Wall stand <ul style="list-style-type: none"> • Height adjustment, with counterweight balance [vertical movement range 149 cm] • Motorised Bucky for oscillating grid • Oscillating grid for FDD 100 – 180 cm • 3-field ionisation chamber (AEC) • Choice of electrical or mechanical brakes • Easy glide system for effortless vertical positioning 	 ✓	✓	✓
Tube stand <ul style="list-style-type: none"> • Mobile stand with command / tube support arm, • Smooth motion as a result of counterweight balance • Height adjustable with 360° rotation • Movement range: longitudinal 195 cm, lateral 162 cm • Manually adjustable collimator with halogen full field light beam indicator 	 ✓	✓	✓
X-ray tube 150 kVp <i>Anode revolutions: 2,850 rpm, anode angle: 12°, heat capacity: 300 KHU, focal spot: 0.6 / 1.2 mm, max. KVP: 150 kVp</i>	✓	✓	✓
2 x CsI flat panel detector 43 cm x 43 cm (17" x 17")	 ✓	-	-
1 x wireless CsI flat panel detector 36 cm x 43 cm (14" x 17")	-	✓	-
Operation by dicomPACS® DX-R acquisition station <i>Mini PC with 23" touch screen monitor, 1920 x 1080 Pixel inl. the professional console software dicomPACS® DX-R with modern graphic user interface with generator control, integrated X-ray positioning guide and basic software modules:</i> <ul style="list-style-type: none"> • dicomPACS® DX-R DICOM Send SCU • dicomPACS® DX-R DICOM Patient CD • dicomPACS® DX-R Cognition Optimised Processing 	 ✓	✓	-
Operator control via generator software	-	-	✓
Optional components <ul style="list-style-type: none"> • DAP meter (Dose Area Product meter) • Upgrade from 50 KW to 65 KW or to 80 KW • Wall stand with tilting function, X-ray stand Option ,R' (Rotation), X-ray stand Option ,T' (Transversal) • Motorised collimator without filter change, motorised collimator with filter change, manually exchangeable lumbar spine / thoracic spine filters • Patient positioning table – height adjustable 	✓	✓	✓

Specifications subject to revision without notice

The editor strives to impart correct and up to date information. The provided specifications are based on current knowledge and are subject to revision without notice. This brochure is subject to correction. The editor assumes no responsibility for the information being up to date, correct and complete.

All furnished logos, pictures and graphics are property of the particular company and subject to copyright of the licensor. Use, dissemination, distribution or copying of the pictures, logos or text compiled or processed by the editor is subject to our written consent. All rights reserved.

OR Technology

www.or-technology.com | X-perts in X-ray



OR Technology (Oehm und Rehbein GmbH), 18057 Rostock, Germany, Neptunallee 7c
Tel. +49 381 36 600 500, Fax +49 381 36 600 555
www.or-technology.com, info@or-technology.com

Info hotline: +49 381 36 600 600



[Stamp of distribution partner]